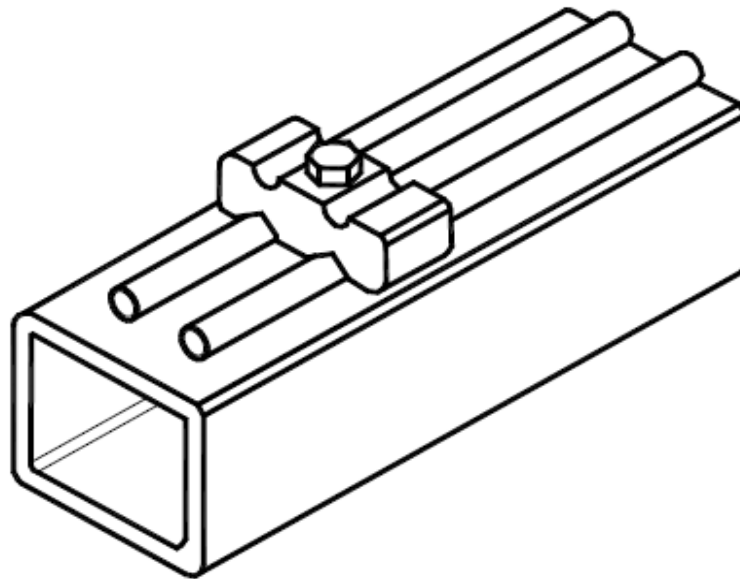




Terhorst
MANUFACTURING

INDUSTRIAL PRODUCTS

OIL LINE CLAMP



- SAVE TIME AND MONEY ON THE PRODUCTION LINE
- MOLDED OF HIGH STRENGTH MATERIAL – ABS (Reprocessed)
- WILL CLAMP LINES 3/16 OD TO 3/4 OD

HYCL-01 (Small)

HYCL-02 (Large)

615 Burdick Expressway East

P.O. Box 997 Minot, North Dakota 58702

• Ph: (701) 852-0535 • Fax: 701-852-6124 • E-mail: shirleys@srt.com