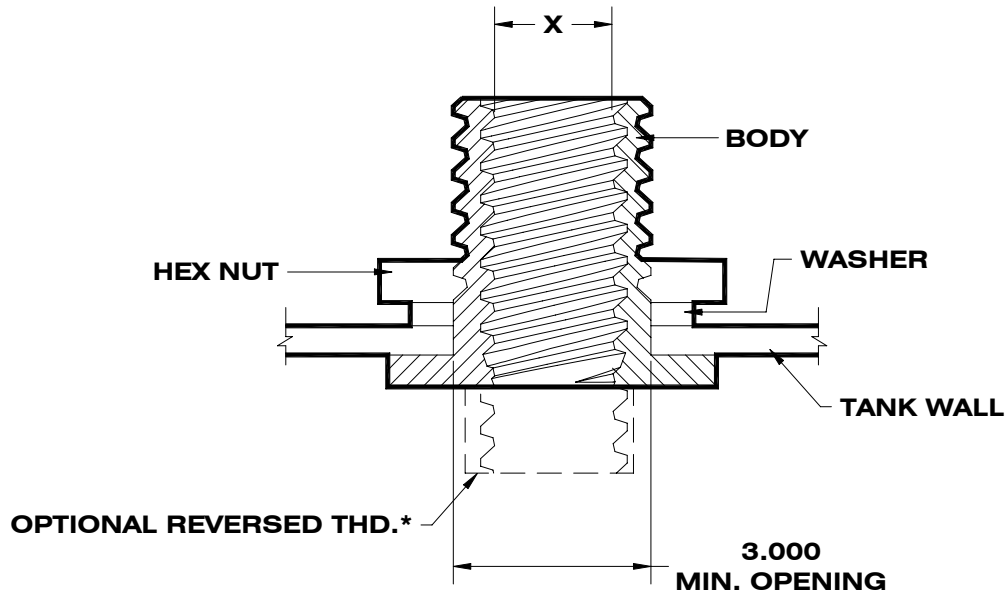




Terhorst
MANUFACTURING

INDUSTRIAL PRODUCTS

3" TANK FITTING



PART NUMBER	(X) SIZE PIPE THR.	SINGLE	DOUBLE*
S030-012	1-1/4	X	
D030-012	1-1/4		X
S030-014	1-1/2	X	
D030-014	1-1/2		X
S030-020	2	X	
D030-020	2		X

WHEN ORDERING, PLEASE SPECIFY:

1. Quantity & Catalog Number
2. Type of Material (see options below)

OPTIONAL MATERIALS:

1. Nylon Type 6
2. Polypropylene
3. Glass Filled Polypropylene
4. Other materials available upon request.

615 Burdick Expressway East

P.O. Box 997 Minot, North Dakota 58702

• Ph: (701) 852-0535 • Fax: 701-852-6124 • E-mail: Shirley@srt.com