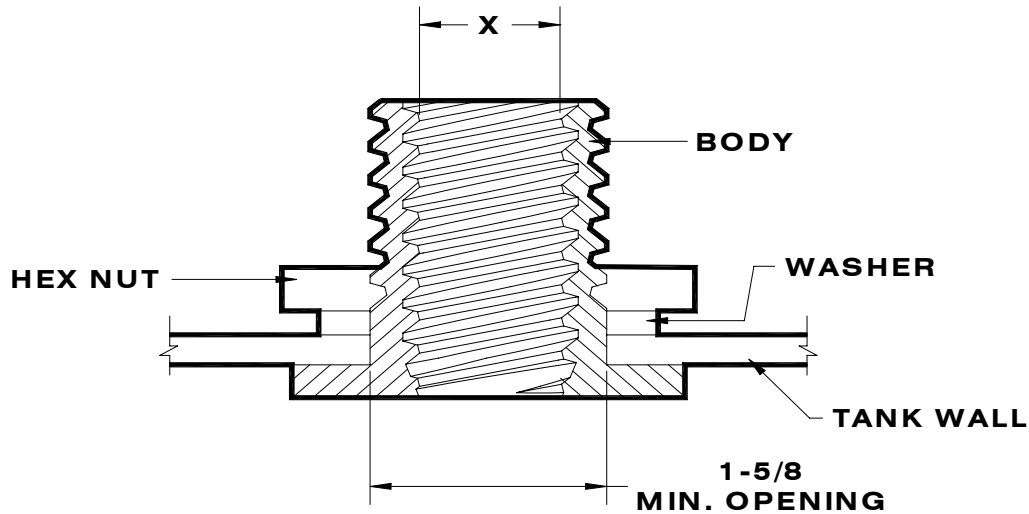




## INDUSTRIAL PRODUCTS

### 1-5/8" TANK FITTING



PART NUMBER	SIZE (X)
A015-06	3/4-PIPE THR.
A015-10	1"-PIPE THR.

### WHEN ORDERING, PLEASE SPECIFY:

1. Quantity & Catalog Number
2. Type of Material (see options listed below)

### OPTIONAL MATERIALS:

1. Nylon Type 6.
2. Polypropylene.
3. Glass Filled Polypropylene
4. Other materials available upon request

615 Burdick Expressway East  
P.O. Box 997 Minot, North Dakota 58702  
• Ph: (701) 852-0535 • Fax: 701-852-6124 • E-mail: shirleys@srt.com